

ARRIS STARLINE Accessories

SRE-* Starline Return Equalizer

FEATURES

- 40, 42, 65, or 85 MHz return band equalization
- Ergonomics – installation and removal of accessory without tool or removal of chassis cover
- -22 dB return loss (return path)
- -1.5 dB insertion loss
- FCC and CENELEC approved



PRODUCT OVERVIEW

The ARRIS series of STARLINE return equalizers, model SRE-*-* , are designed to equalize fixed lengths of cable and are available in 3 dB steps from 0 dB through 12 dB.

The ARRIS series of STARLINE Return Equalizers, model SRE-*-* , are designed for variable cable length equalization in the return band. The equalizers are available in 2 dB steps from 0 through 12 dB. The SRE-K-6 for example, has an upper bandwidth of 42 MHz and compensates for approximately 6 dB of cable. See specifications on page 3.

Ergonomics: Enhanced Ease of Use

Enhanced ergonomics add to the ease of use for the STARLINE Return Equalizer, model SRE-*-*. This “ease of use” is achieved by implementing a plastic shell with guides that allow easy installation and removal through the chassis cover.

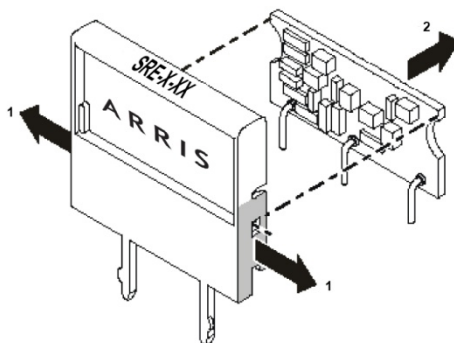
All ARRIS field-installed components are easily accessible through the chassis cover and can be installed and removed by a “gloved hand” without a tool. Block diagrams distinguishing forward and return paths by color are printed on the chassis covers for easy reference of components. The ergonomic accessories are equivalent to the previous non-ergonomic accessories, with the addition of removable plastic guides and shells. All current and former accessories are backward/forward compatible.

Backward/Forward Compatibility

Forward Compatibility: The latest amplifiers may use all ergonomic accessories such as the SRE-*-*, but it is also possible to use the older version non-ergonomic accessories such as the SEE-*-* if desired. However, these older accessories may require removal of the chassis cover for installation.

Backward Compatibility: The ergonomic accessories are the same as the previous accessories, except for the addition of the plastic guides and shells. See chart below for forward equalizer nomenclature. Therefore, the plastic guides and shells can be removed for use in older amplifiers. For more information, please contact your ARRIS Account Representative.

To remove the plastic cover of the SRE-*-*, grasp the SRE-*-* board at a point near the shaded area and pull it away from the plastic cover, as illustrated below:



The ergonomic accessories have model indicators to better align the notation with our product descriptions. The following table indicates the old accessory vs. the ergonomic accessory notation.

Old Accessory	Ergonomic Accessory	Ergonomic Description
SEE-*-*	SRE-*-*	STARLINE Return Equalizer

SRE-* SPECIFICATIONS

Parameter/Model	SRE-K-*	SRE-A-*	SRE-N-*
Passband (MHz)	5-42	5-65	5-85
Equalization (dB)	SRE value \pm 0.5	SRE value \pm 0.5	SRE value \pm 0.5
Flatness (dB max)	\pm 0.5	\pm 0.5	\pm 0.6
Return Loss (dB max)	-22.0	-22.0	-20.0
Insertion Loss (dB max)	-1.5	-1.5	-1.5

* The amount of cable attenuation, measured in dB at the upper end of the bandwidth, that yields the best flatness.

RELATED PRODUCTS

FFT Full Feature Taps	Optical Patch Cords
FFE Feederline Equalizers	Optical Passives
CHP Chassis	Installation Services

Note: Specifications are subject to change without notice.

Copyright Statement: ©ARRIS Enterprises, Inc. 2016 All rights reserved. No part of this publication may be reproduced in any form or by any means or used to make any derivative work (such as translation, transformation, or adaptation) without written permission from ARRIS Enterprises, Inc. ("ARRIS"). ARRIS reserves the right to revise this publication and to make changes in content from time to time without obligation on the part of ARRIS to provide notification of such revision or change. ARRIS and the ARRIS logo are all registered trademarks of ARRIS Enterprises, Inc. Other trademarks and trade names may be used in this document to refer to either the entities claiming the marks and the names of their products. ARRIS disclaims proprietary interest in the marks and names of others. The capabilities, system requirements and/or compatibility with third-party products described herein are subject to change without notice.

SRE_DS_05JAN16

(rev 01-2016)

Ask us about the complete Access Technologies Solutions portfolio:

Passives