

# Optical Passives (ISP)

## 1RU-LGX

### Optical Passives Frame

## FEATURES

- Maximize optical headend space with compact optical passives
- Accommodates standard LGX passives
- Front and Rear Accessibility for ease of configuration
- 6 LGX modules per 1 Rack Unit (RU)



## PRODUCT OVERVIEW

The ARRIS model R1U-LGX-HSG housing is one rack-unit high (1.75 inches), fits into a standard 19-inch wide rack enclosure, and holds up to six LGX-style optical modules in a horizontal orientation. The housing is lead-free/RoHS-compliant. The housing complements the ARRIS family of high-density optical modules, allowing system operators to fit more passive optical devices into a smaller space.

### Physical Requirements

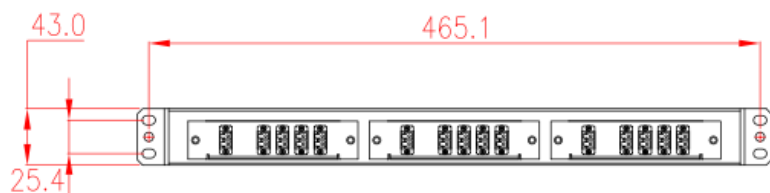
- The housing is one (1) rack-unit high (1.75 inches of vertical rack space) pizza box housing which will contain up to six (6) optical modules.
- Housing mountable into standard 19-inch racks as defined in EIA-310.
- Housing has adjustments that allow it to fit into non-standard size racks.
- The modules to be held must be LGX-style, conforming to standard 469026-001.
- The LGX modules are mounted in a horizontal orientation.
- Three LGX modules are mounted in the front panel of the housing and three LGX modules are mounted in the back.

**SPECIFICATIONS (-001)**

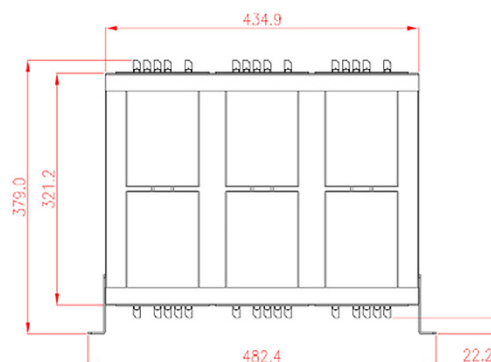
Dimensions	Millimeters	Inches
Length	379.0	14.92
Width	482.40	18.99

**SPECIFICATIONS (-002)**

Dimensions	Millimeters	Inches
Length	165	6.49
Width	434.9	17.12



Note: All measurements are represented in Millimeters



**ORDERING INFORMATION**

Part Number	Description
586099-001-00	R1U-LGX-HSG, HSG, OP CPLR MODULES, 1RU, 6 SLOTS FOR MODULES, F/G
586099-002-00	R1U-LGX-HSG-3, HSG, OP CPLR MODULES, 1RU, 3 SLOTS FOR MODULES, F/G

**RELATED PRODUCTS**

LGX Passives	Optical Patch Cords
Power Supplies	Optical Passives
Management Module	Installation Services

## Customer Care

Contact Customer Care for product information and sales:

- United States: 866-36-ARRIS
- International: +1-678-473-5656

**Note:** Specifications are subject to change without notice.

**Copyright Statement:** ©ARRIS Enterprises, LLC, 2018. All rights reserved. No part of this publication may be reproduced in any form or by any means or used to make any derivative work (such as translation, transformation, or adaptation) without written permission from ARRIS Enterprises, LLC ("ARRIS"). ARRIS reserves the right to revise this publication and to make changes in content from time to time without obligation on the part of ARRIS to provide notification of such revision or change. ARRIS and the ARRIS logo are registered trademarks of ARRIS Enterprises, LLC. Other trademarks and trade names may be used in this document to refer to either the entities claiming the marks or the names of their products. ARRIS disclaims proprietary interest in the marks and names of others. The capabilities, system requirements and/or compatibility with third-party products described herein are subject to change without notice.

R1U LGX HSG\_DS\_12JUL18

(rev 07-2018)