

Headend Optics Platform (CH3000)

OP3334

Light-Plex™ Optical 1550 nm Broadcast/
1310 nm Narrowcast 4-output Combiner

FEATURES

- Low loss integrated 1550 nm broadcast/1310 nm narrowcast 4-output combiner
- Simplifies installation and reduces rack space requirements
- Eliminates need for four optical jumpers
- Occupies one half-depth slot
- Combines signals in 1264.5–1357.5 nm with signals in 1530–1570 band



PRODUCT OVERVIEW

The Model OP3334 provides a single 1550 nm broadcast input port and four 1310 nm narrowcast input ports. The 1550 nm broadcast signal is split four ways for multiplexing with each of the four independent 1310 nm narrowcast signals through a minimum loss combiner, with the resulting signals passed to four broadcast/narrowcast output ports.

The OP3334 is a completely passive combiner and is housed in ARRIS’s standard single-width, half-depth passive products module.

The integration of splitting and combining functions into one half-depth module simplifies narrowcasting installations, improves efficiencies by reducing optical losses, and requires less rack space than alternative equipment.

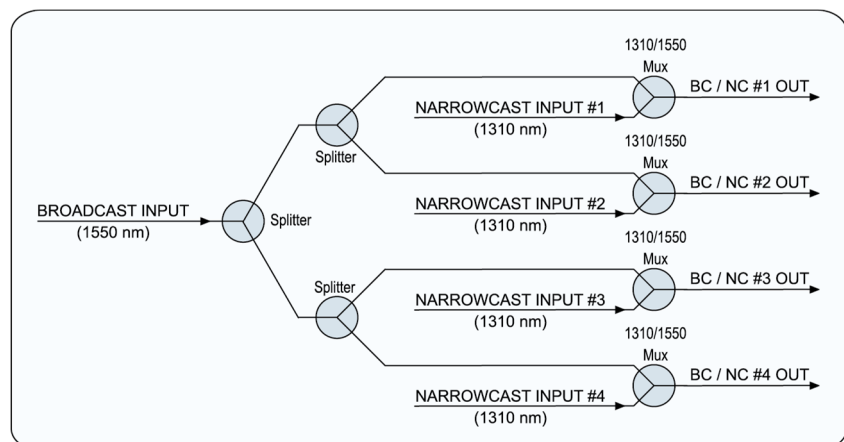
The OP3334 is also used to combine signals in 1530–1570 nm band of four inputs with 1264.5–1357.5 nm passbands.

SPECIFICATIONS	
Characteristics	Specification
Physical	
Dimensions	6.5" D x 4.3" H x 1.0" W (3RU) (17 cm x 11 cm x 2.5 cm)
Weight	1.5 lbs (0.68 kg)
Environmental	
Operating temperature range	-20° to +65°C (-4° to 149°F)
Storage temperature range	-40° to +85°C (-40° to +185°F)
Humidity	5% to 95% non-condensing
Optical Interface	
Optical connectors	SC/APC
Inputs	<ul style="list-style-type: none"> • NC INP1 through NC INP4 (narrowcast content at 1310 nm) • BC INP (broadcast content at 1551 nm)
Outputs	<ul style="list-style-type: none"> • BC/NC OUT1 through BC/NC OUT4
General	
Optical return loss, min	42 dB
Polarization Dependent Loss (PDL), max	0.2 dB
Directivity, min	52 dB
Optical	
Optical power handling	27 dBm max
Broadcast:	
Passband	1550 ± 20 nm
Insertion loss	Typ: < 6.7 dB (including connectors) Max: 7.2 dB (including connectors)
Uniformity ¹	Typ: < 0.4 dB (including connectors) Max: 0.6 dB (including connectors)
Narrowcast:	
Passband	1264.5 to 1357.5 nm
Insertion loss ²	Typ: < 0.4 dB (including connectors) Max: 0.7 dB (including connectors)
Uniformity ¹	Typ: < 0.3 dB (including connectors) Max: 0.4 dB (including connectors)
Ripple within passband	0.5 dB

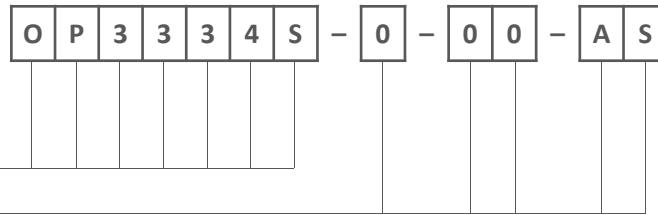
Notes:

¹ Uniformity defined as the difference between minimum and maximum output power across the four output ports.

² 1310 nm narrowcast insertion loss from INPn to OUTn



ORDERING INFORMATION



1550 nm BC/1310 nm NC 4-output Combiner
 AS = SC/APC Connector

RELATED PRODUCTS

CH3000 Chassis	Optical Patch Cords
Optical Transmitters	Optical Passives
BP Back plates	Installation Services

Customer Care

Contact Customer Care for product information and sales:

- United States: 866-36-ARRIS
- International: +1-678-473-5656

Note: Specifications are subject to change without notice.

Copyright Statement: ©ARRIS Enterprises, LLC, 2016. All rights reserved. No part of this publication may be reproduced in any form or by any means or used to make any derivative work (such as translation, transformation, or adaptation) without written permission from ARRIS Enterprises, LLC ("ARRIS"). ARRIS reserves the right to revise this publication and to make changes in content from time to time without obligation on the part of ARRIS to provide notification of such revision or change. ARRIS and the ARRIS logo are registered trademarks of ARRIS Enterprises, LLC. Other trademarks and trade names may be used in this document to refer to either the entities claiming the marks or the names of their products. ARRIS disclaims proprietary interest in the marks and names of others. The capabilities, system requirements and/or compatibility with third-party products described herein are subject to change without notice.