

# Headend Optics Platform (CH3000)

## PS3248

### –48 VDC Power Supply

## FEATURES

- 300 Watts
- Two models available:
  - Alphanumeric display (D version)
  - Status LEDs (N version)
- –36 to –60 VDC input
- Over temperature protection
- Hot swappable
- Occupies two full-depth slots
- Monitoring and control of chassis-resident active modules via micro-USB
- Monitors and detects chassis platform alarms
- PS3248D model enables local monitoring and control without additional support equipment



## PRODUCT OVERVIEW

The model PS3248 is a high performance, 300 Watt power supply and controller for the model CH3000 chassis. The PS3248 accepts DC input voltages from –36 to –60 volts, and outputs 12 volts DC to the power bus of the CH3000 mid-plane. Features include hot swap capability, redundant operation, overvoltage, short circuit protection, and over temperature protection.



The PS3248 is available in two configurations, the model PS3248D with alphanumeric display and the model PS3248N without display. The PS3248 dual-width module occupies two full-depth chassis slots and ships with a model BP-P2 dynamic back plate.

The PS3248 functions as the chassis controller and permits the network operator to set alarm parameters for key functions of all active modules, to read status of these key functions and to query alarms. On the model PS3248D, these functions are accomplished with a front panel alphanumeric display and control switch or via a serial communications (craft) port. On the model PS3248N, which includes alarm LEDs, these functions are performed via a front panel serial communications (craft) port.

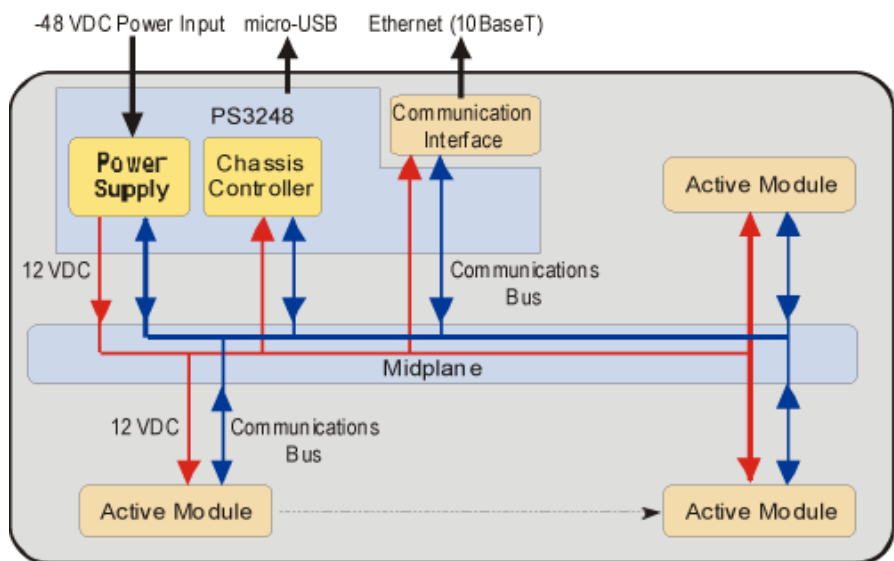
To simplify installation, setup and maintenance of ARRIS's CH3000 chassis, auto discovery of installation or removal of all active modules is performed by the PS3248.

#### RELATED PRODUCTS

Optical Transmitters	Optical Passives
Digital Return	CH3000 Chassis
BP Back plates	Installation Services

**SPECIFICATIONS**

Characteristics	Specification
<b>Physical</b>	
Dimensions	13.0" D x 4.3" H x 2.0" W (3RU) (33 cm x 11 cm x 5 cm) (occupies 2 of 16 slots in 3RU CH3000 Chassis)
Weight	PS3248N 3.0 lbs (1.4 kg) PS3248D 3.2 lbs (1.4 kg)
<b>Environmental</b>	
Operating Temperature Range	-20°C to +65°C (-4° to 149°F)
Storage Temperature Range	-40°C to +85°C (-40°F to +185°F)
Humidity	5% to 95% non-condensing
<b>Electrical</b>	
DC Input:	
Rated Voltage	-36 to -60 V
Operating Voltage	-36 to -72 V
Fuse	16 A / 250 V SLO-BLO, 5 x 20 mm
DC Output:	
Voltage	12 V
Current	25 Amps max. (300 watts)
Efficiency	93% typical at 48 V input, 18-25 Amp load
Protection	Over-voltage, over temperature and short circuit with auto reset
<b>General</b>	
	Hot Swappable
	Front panel micro-USB port
<b>Indicator LEDs on model PS3248N</b>	
Status LEDs	<ul style="list-style-type: none"> <li>Green = OK</li> <li>Yellow = Non-service-affecting alarm</li> <li>Red = Service-affecting alarm</li> </ul>
Access Indicator LED	<ul style="list-style-type: none"> <li>Blue = Lit during communication with chassis modules</li> </ul>
<b>Regulatory Compliance</b>	
	IEC 60950-1; EN 60950-1; UL 60950-1 CSA C22.2 No. 60950-1 EN 55024 EN 55022, Class B VCCI V-3 FCC Part 15, Subpart B, Class B ICES-003, Class B



ORDERING INFORMATION

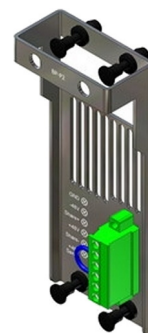
P	S	3	2	4	8	*
---	---	---	---	---	---	---

48 VDC Power Supply  
 \* = D (with Display) or N (without Display)

Required Module Back Plate

B	P	-	P	2
---	---	---	---	---

Back Plate is included with ordered module



## Customer Care

Contact Customer Care for product information and sales:

- United States: 866-36-ARRIS
- International: +1-678-473-5656

**Note:** Specifications are subject to change without notice.

**Copyright Statement:** ©ARRIS Enterprises, LLC, 2017. All rights reserved. No part of this publication may be reproduced in any form or by any means or used to make any derivative work (such as translation, transformation, or adaptation) without written permission from ARRIS Enterprises, LLC ("ARRIS"). ARRIS reserves the right to revise this publication and to make changes in content from time to time without obligation on the part of ARRIS to provide notification of such revision or change. ARRIS and the ARRIS logo are registered trademarks of ARRIS Enterprises, LLC. Other trademarks and trade names may be used in this document to refer to either the entities claiming the marks or the names of their products. ARRIS disclaims proprietary interest in the marks and names of others. The capabilities, system requirements and/or compatibility with third-party products described herein are subject to change without notice.