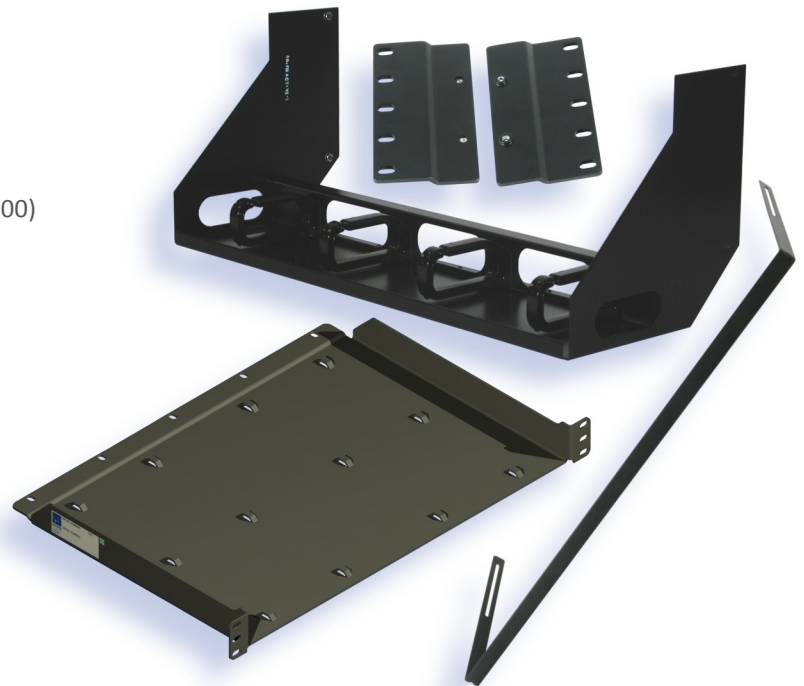


# Headend Optics Platform (CH3000)

## CH3000U-FM Chassis Accessories

### FEATURES

- Rear-mounted Fiber Management Adapter (CH3000U-FM-00)
- Fiber Routing Shelf (CH3000U-FM-01)
- Fiber Management Rail Kit Adapter (CH3000U-FM-02)
- 23-inch Chassis Rack Adapter Kit (CH3000U-RE-00)



### PRODUCT OVERVIEW

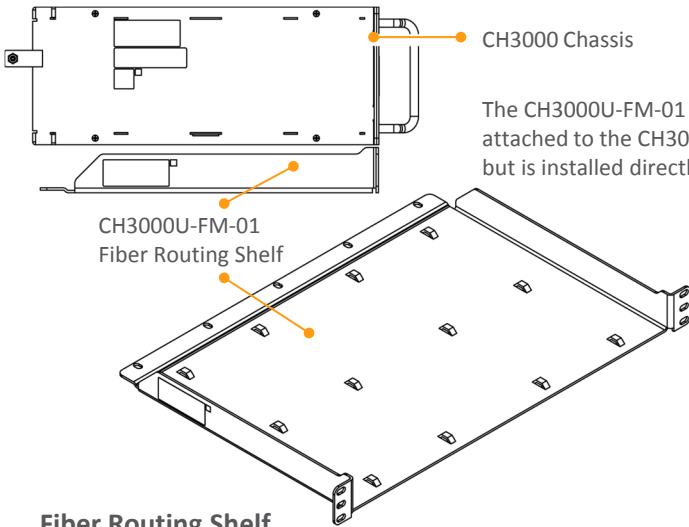
ARRIS offers several accessories for the CH3000 chassis, ARRIS' advanced mid-plane, 3RU chassis design which offers the network operator a platform featuring maximum flexibility, high packaging density and simplicity of operation.

The CH3000U-FM-00 Fiber Management Adapter mounts to the rear of the chassis using fastening hardware provided with the adapter and, after attachment, extends an additional 1RU (1.75") below the bottom of the chassis frame.

The CH3000U-FM-01 Fiber Routing Shelf is not directly connected to the chassis. Instead it occupies a 1RU space in the rack below the 3RU chassis, and provides rigid support for fiber cables that may be routed from the front to the rear of the rack for some types of modules, or simply as a convenient storage shelf for excessive cable lengths.

The CH3000U-FM-02 Fiber Management Rail Kit Adapter is a bracket that attaches to the top rear of the chassis using fastening hardware provided with the kit and provides a rail for hanging fiber.

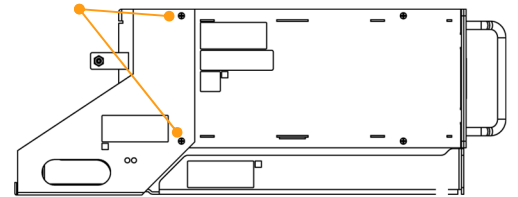
The CH3000U-RE-00 23-inch Chassis Rack Adapter Kit is a rack mounting kit to adapt the chassis for mounting in 23" wide racks and that can also be used for PF3000 series passives frames.



**Fiber Routing Shelf**

Dimensions: 12.8" D x 1.75" H x 19.0" W (1RU)  
 (32.5 cm x 4.4 cm x 48.5 cm)  
 Weight: 1.6 lbs (0.73 kg)

CH3000U-FM-00 Fiber Management Adapter attached to CH3000 Chassis with provided hardware



CH3000U-FM-01 Fiber Routing Shelf under the CH3000 Chassis

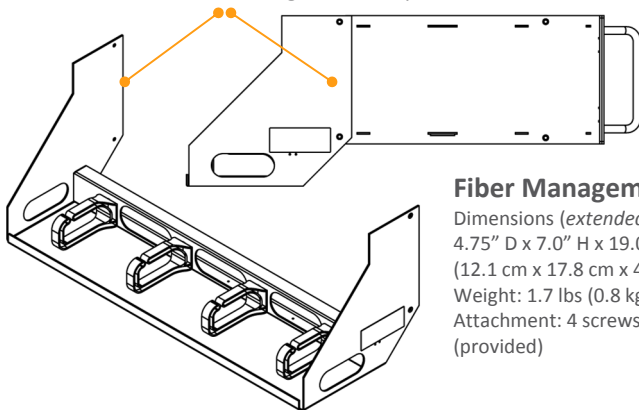


CH3000U-FM-02 Fiber Management Rail

**Fiber Management Rail Kit Adapter**

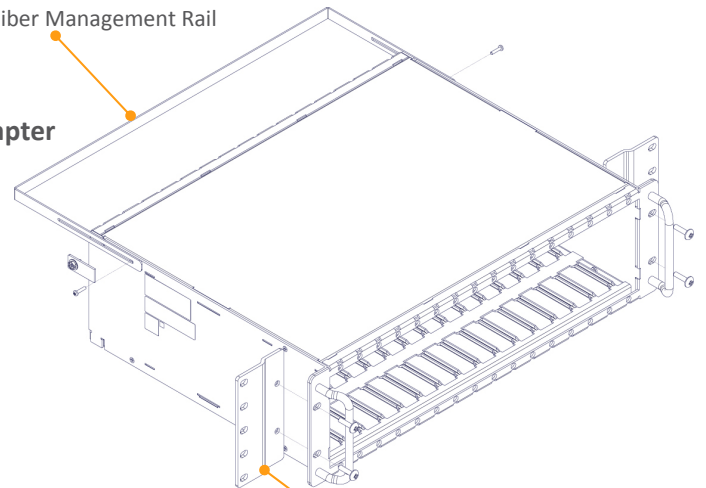
Dimensions (for each of 2 adapters):  
 17.1" L x 8.0" D (43.4 cm x 20.3 cm)  
 Attachment: 4 screws and nuts (provided)  
 Black spiral tubing

CH3000U-FM-00 Fiber Management Adapter



**Fiber Management Adapter**

Dimensions (extended depth in addition to CH3000):  
 4.75" D x 7.0" H x 19.0" W (4RU)  
 (12.1 cm x 17.8 cm x 48.5 cm)  
 Weight: 1.7 lbs (0.8 kg)  
 Attachment: 4 screws and self-locking nuts (provided)



CH3000U-RE-00 Rack Adapter (1 of 2)

**23-inch Chassis Rack Adapter Kit**

Dimensions (for each of 2 adapters):  
 2.7" W x 5.2" H (6.9 cm x 13.2 cm)  
 Attachment: 8 screws (provided)

## ORDERING INFORMATION

Model Name	Description
CH3000U-FM-00	Fiber Management Adapter
CH3000U-FM-01	Fiber Routing Shelf
CH3000U-FM-02	Fiber Management Rail Kit Adapter
CH3000U-RE-00	23-inch Chassis Rack Adapter Kit

## RELATED PRODUCTS

CH3000 Transmitters	Optical Patch Cords
CH3000 Receivers	Optical Passives
Management Module	Installation Services

## Customer Care

Contact Customer Care for product information and sales:

- United States: 866-36-ARRIS
- International: +1-678-473-5656

**Note:** Specifications are subject to change without notice.

**Copyright Statement:** ©ARRIS Enterprises, LLC, 2016. All rights reserved. No part of this publication may be reproduced in any form or by any means or used to make any derivative work (such as translation, transformation, or adaptation) without written permission from ARRIS Enterprises, LLC ("ARRIS"). ARRIS reserves the right to revise this publication and to make changes in content from time to time without obligation on the part of ARRIS to provide notification of such revision or change. ARRIS and the ARRIS logo are registered trademarks of ARRIS Enterprises, LLC. Other trademarks and trade names may be used in this document to refer to either the entities claiming the marks or the names of their products. ARRIS disclaims proprietary interest in the marks and names of others. The capabilities, system requirements and/or compatibility with third-party products described herein are subject to change without notice.