

Headend Optics Platform (CH3000)

HT3562H Series High Performance Double-Density Full Spectrum DWDM Transmitter System

FEATURES

- High MER performance enabled by innovative externally modulated laser technology
- DWDM transmitter: up to 16 wavelengths on ITU grid
- Optimized for 1.218 GHz DOCSIS® 3.1 full spectrum loading
- Industry's highest rack density for externally modulated transmitters: 24 transmitters per 3RU chassis, with redundant power supplies and optical multiplexing
- Analog loading up to 258 MHz plus QAM loading
- Manual or Automatic Gain Control (AGC) modes
- Low power consumption
- Hot plug-in/out, individually replaceable transmitter modules
- Front access -20 dB input test point
- Front panel laser On/Off switch
- Local and remote status monitoring features

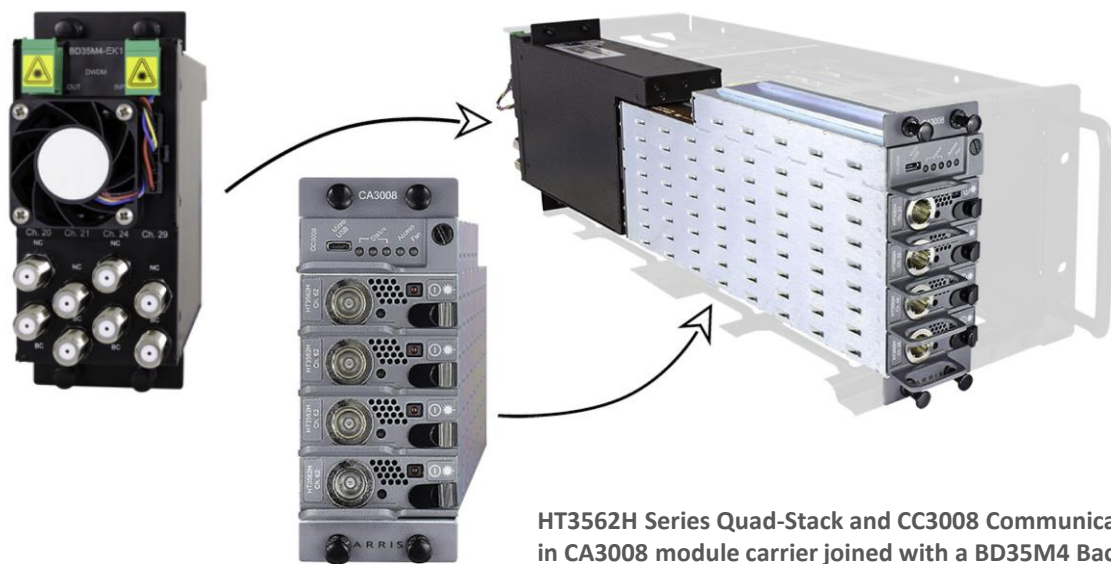


SYSTEM OVERVIEW

The ARRIS HT3562H Series Double-Density Full Spectrum Dense Wave Division Multiplexing (DWDM) Transmitter System provides high performance and a high rack density forward path transmission solution for Cable TV service providers. Its enhanced performance removes transmitter link constraints to enable DOCSIS 3.1 capabilities while maintaining best industry practices and architectures at a low cost.

The high density packaging design allows up to four (4) HT3562H series high performance transmitters plus a CC3008 Communications Control Module to be stacked vertically and contained by the CA3008 module carrier, requiring only two chassis slots of a 3RU chassis. The compact solution supports up to 24 transmitters in a CH3000 chassis, including redundant power supplies.

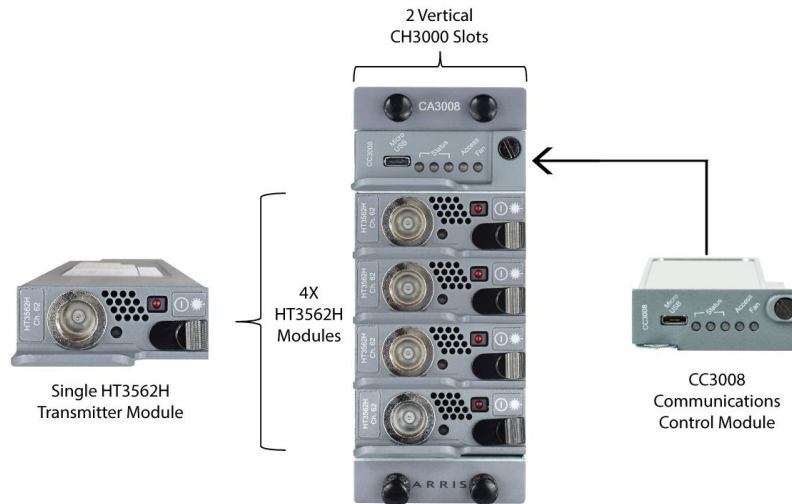
When installed in the chassis, the transmitters interface to a “zero-slot” back plate, providing support for up to four HT3562H series transmitters with no additional rack space required for optical multiplexing. The figure below shows a fully loaded carrier mated to the BD35M4 Double-Density multiplexing back plate that supports optical combining of four DWDM wavelengths in the forward path.



HT3562H Series Quad-Stack and CC3008 Communications Module in CA3008 module carrier joined with a BD35M4 Back Plate

The CC3008 Communications Module installed at the top of a HT3562H series transmitter stack provides the communications interface between the transmitters and the CH3000 mid-plane bus, allowing complete configuration and management control of the stack, both local and remote.

HT3562H Series Double-Density Full Spectrum DWDM Transmitters (1.2 GHz Passband)



ARRIS HT3562H Series Double-Density Full Spectrum DWDM Transmitters enhance ARRIS support of HFC and Fiber Deep architectures and evolution to DOCSIS 3.1 transmission. These high performance transmitters are designed for Dense Wave Division Multiplexing (DWDM) applications for forward path transmission of full spectrum broadcast and narrowcast services.

HT3562H series transmitters are designed for up to 30 analog channels (up to 258 MHz) plus QAM channel loading or for all QAM loading.

The above figure shows a front view of the CA3008 carrier components: a single HT3562H Double-Density Transmitter (left); a single CC3008 Communications Module (right), and a fully loaded “stack” (center) providing four (4) DWDM transmitters, requiring only 2 vertical slots of a CH3000 Chassis. A fully loaded CH3000 chassis supports 24 Double-Density DWDM transmitters and redundant power supplies.

Features

- DWDM transmitter: 16 wavelengths on the ITU grid
- Manual or Automatic Gain Control (AGC) modes
- Optimized for full spectrum loading
- Analog loading up to 258 MHz plus QAM loading or all QAM loading
- Low power consumption
- High rack density: 24 transmitters per 3RU chassis, with redundant power supplies and optical multiplexing
- Optional RF input equalization controls
- Hot plug-in/out, individually replaceable
- Front access -20 dB input test point
- Front panel laser On/Off interlock switch
- Local and remote status monitoring

HT3562H SERIES SPECIFICATIONS

Characteristics	Specification															
Physical																
Dimensions	11.5" D x 0.8" H x 2.0" W (29.2 x 2.0 x 5.1 cm)*															
Weight	0.75 lbs. (0.34 kg)															
	* Four (4) transmitter units designed to be vertically stacked, plus a CC3008 Communications Module, and installed inside a CA3008 Module Carrier. The combination occupies two slots in a 3RU CH3000 Chassis.															
Environmental																
Operating	0° to +50°C (32° to 122°F)															
Storage	-40° to +85°C (-40° to +185°F)															
Humidity	5% to 95% non-condensing															
RF and Optical Interface																
RF input	F-type male (located on BD31A4 or BD35M4 Back Plates)															
Input RF test point	G-type male (located at front panel, -20 dB)															
Optical connector	SC/APC (mates to BD31A4 or BD35M4 Back Plates)															
Power Requirements																
Input voltage	12 V _{DC}															
Power consumption	7 W typical, 10 W max., per transmitter including any power for controller and back plate cooling fan															
General																
	Hot plug-in/out															
	Manual gain alignment															
Channel Loading																
	0 to 30 Analog channels (up to 258 MHz), plus QAM channels															
Optical																
Optical output power	11.8 ± 0.5 dBm															
Wavelength	16 wavelengths on ITU grid. See ordering information section, DWDM ITU Channel Plans description.															
Electrical																
Passband	46–1218 MHz															
Frequency response (including slope)	<ul style="list-style-type: none"> ± 0.75 dB (BC input @ 25°C) - 6 ± 1.0 dB (NC input relative to BC input) 															
Nominal RF input levels (input attenuator = 0 dB)	30 Analog plus 160 QAM loading: <ul style="list-style-type: none"> 14.8 dBmV/ch for 30 analog channels into BC input 8.8 dBmV/ch for 256-QAM channels into BC input, or 14.8 dBmV/ch into NC input 190 QAM loading: <ul style="list-style-type: none"> 10.5 dBmV/ch for 190 256-QAM channels into BC input, or 16.5 dBmV/ch into NC input 															
RF input impedance	75 Ω, nom															
RF input return loss	18 dB, min															
RF input attenuator/amplify range (Manual Mode)	-5.0 to +3.0 dB															
RF input attenuator step size	0.5 dB															
RF input equalizer slope	0 to 3 dB															
AGC Mode	Maintains laser power to within ± 3 dB of the learned RF value															
Level stability (typical)	± 1.0 dB															
256-QAM or OFDM BER	< 10 ⁻⁹ (pre-FEC, ITU-B)															
Link performance at 60 km																
	<table border="1"> <thead> <tr> <th>Loading</th> <th>30A + 160 QAM/OFDM</th> <th>190 QAM/OFDM</th> </tr> </thead> <tbody> <tr> <td>CNR* (dB):</td> <td>50.5 (52 at 40 km)</td> <td></td> </tr> <tr> <td>MER (dB):</td> <td>> 42 dB</td> <td>> 44 dBm</td> </tr> <tr> <td>CSO (dB):</td> <td>62</td> <td></td> </tr> <tr> <td>CTB (dB):</td> <td>65</td> <td></td> </tr> </tbody> </table>	Loading	30A + 160 QAM/OFDM	190 QAM/OFDM	CNR* (dB):	50.5 (52 at 40 km)		MER (dB):	> 42 dB	> 44 dBm	CSO (dB):	62		CTB (dB):	65	
Loading	30A + 160 QAM/OFDM	190 QAM/OFDM														
CNR* (dB):	50.5 (52 at 40 km)															
MER (dB):	> 42 dB	> 44 dBm														
CSO (dB):	62															
CTB (dB):	65															
	*max. of 0.5 dB degradations below 100 MHz															
DWDM ITU Channel Plans																
	ARRIS supports DWDM network architectures with a variety of products on the standard DWDM ITU Grid (ITU-T G.694.1). For a more complete description, please refer to the ARRIS DWDM ITU Grid Channel Plan Data Sheet.															

BD35M4-EK Double-Density Back Plates

The ARRIS BD35M4-EK Family of back plates is a 100 GHz ITU grid compliant Double-Density Mux Back Plate that multiplexes the output of four HT3562H Double-Density Full Spectrum Transmitters.

This back plate provides connections for a group of four HT3562H Series Transmitters installed in the same CA3008 Module Carrier, along with the CC3008 Communications Control Module.

These 4-channel mux back plates (for which outputs can be cascaded from one back plate to another) may be ordered for various channel groups.



BD35M4-EKx-H02F-S-AS Back Plate

BD35M4-AC BACK PLATE SPECIFICATIONS

Characteristics	Specification	
Physical		
Dimensions	7.2" D x 5.2" H x 2.0" W (18.2 x 13.2 x 5.1 cm)	
Weight	2.0 lb. (0.91 kg)	
Environmental		
Operating	-20° to +65°C (-4° to 149°F)	
Storage	-40° to +85°C (-40° to +185°F)	
Humidity	5% to 95% non-condensing	
Power Requirements		
Input voltage	12 V _{DC}	
Power consumption	5 W max (2.5 W Typ), including the replaceable cooling fan	
Optical Interface		
Optical Connectors	SC/APC (2)	
	<ul style="list-style-type: none"> DWDM INP (input from previous mux back plate) DWDM OUT (output to network or next mux back plate) 	
RF Interface		
8 F-Type Connectors	<ul style="list-style-type: none"> 4 BC and 4 NC (1 BC/NC pair per transmitter) 	
Optical		
Channel spacing	100 GHz	
Channel plan	See ordering information and ITU Channel Plans description	
Insertion Losses, including connectors	Typ	Max
• DWDM input to DWDM output	1.0 dB	1.2 dB
• Ch. yy input to DWDM output	1.4 dB	1.6 dB
Uniformity, including connectors		
• Module Uniformity	0.7 dB	1.0 dB
• Paired Uniformity	0.4 dB	0.6 dB
Return loss, min	45 dB	
Directivity, min	55 dB	
Passband @ 0.2 dB		
• Ch. yy input to DWDM output	± 0.125 nm	
• DWDM input to DWDM output	Passes 1423.5 through 1617.5 with a notch at the channel add/drop band. WDL for the passband is within ± 0.15 dB	
Ripple within passband	0.5 dB max	
Polarization dependent loss, max	0.1 dB (typically < 0.05 dB)	
Power handling, max (any input port)	21.8 dBm	

BD31A4-100 Double-Density Back Plates

The BD31A4 is a double-density back plate that provides a choice of 4 separate BC and 4 separate NC RF inputs, or 1 common BC and 4 separate NC RF inputs, for four HT3562H Transmitters.

The BD31A4-100 provides RF input and optical connections to or from the HT3562H transmitters.

BD31A4-100-H12F-0-AS is a double-density back plate that provides 4 separate BC inputs and 4 separate NC RF inputs for four HT3562H Transmitters. Also supports four separate optical output SC/APC connectors.

BD31A4-100-H10F-0-AS is a double-density back plate that provides 1 common BC input and 4 separate NC RF inputs for four HT3562H Transmitters. Also supports four separate optical output SC/APC connectors.



BD31A4-100-H12F-0-AS Back Plate



CA3008 Module Carrier

BD31A4-100 BACK PLATE SPECIFICATIONS

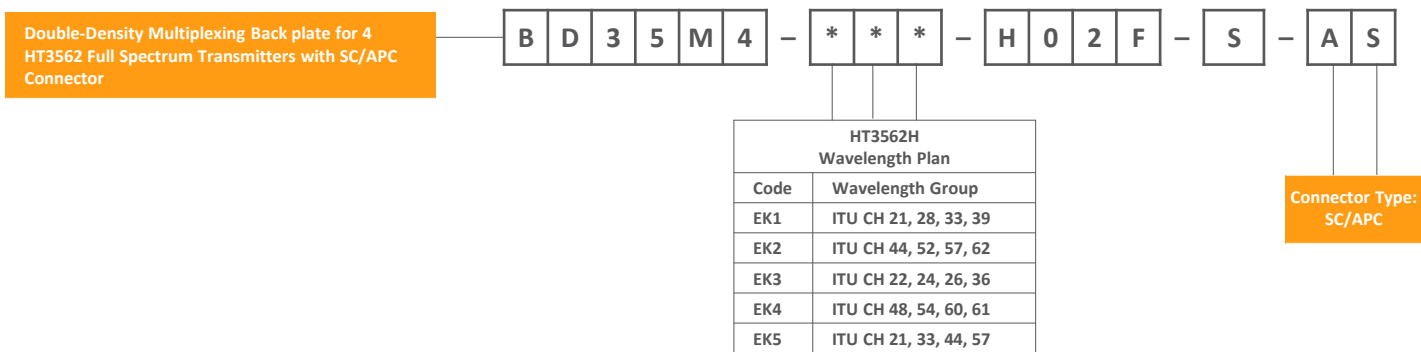
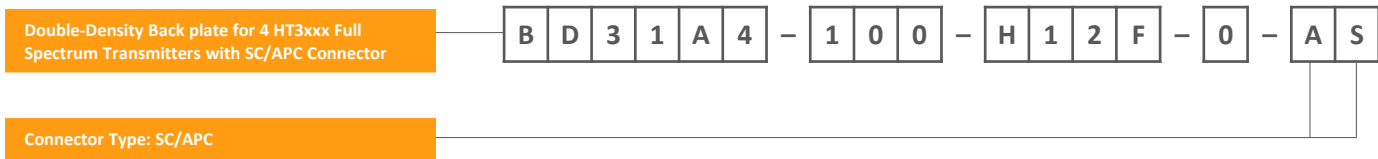
Characteristics	Specification
Physical	
Dimensions	7.2" D x 5.2" H x 2.0" W (18.2 x 13.2 x 5.1 cm)
Weight	2.0 lb. (0.91 kg)
Environmental	
Operating	-20° to +65°C (-4° to 149°F)
Storage	-40° to +85°C (-40° to +185°F)
Humidity	5% to 95% non-condensing
Power Requirements	
Input voltage	12 V _{DC}
Power consumption	5 W max (2.5 W Typ), including the replaceable cooling fan
Optical	
Through 4 SC/APC connectors, the BD31A4-100 provides optical passthrough from the HT3562H transmitter.	
Optical Insertion Loss	0.2 dB Typ; 0.4 dB Max Refer to the HT3562H product specifications for more information.
RF Interface	
Through 8 (eight) F-type RF connectors, the BD31A4-100 provides RF passthrough to the HT3562H transmitter.	<ul style="list-style-type: none"> 4 BC and 4 NC (1 BC/NC pair per transmitter)

ORDERING INFORMATION

HT3562H Transmitter



Back Plates



Passives

Optical Passives for HT3562 Full Spectrum Transmitters, see associated Data Sheets

Passive	Description
NP35C01S0EZ0S-0LD-AS	LGX Package Red/Blue Single Filter for ITU Channels 19-39, 44-63 with SC/APC connector
NP95D04SK1A0S-1FE-00	F-Case Demux for ITU Channels 21, 28, 33, 39 0.9-mm fibers with no connector
NP95D04SK2A0S-1FE-00	F-Case Demux for ITU Channels 44, 52, 57, 62 0.9-mm fibers with no connector
NP95D04SK3A0S-1FE-00	F-Case Demux for ITU Channels 22, 24, 26, 36 0.9-mm fibers with no connector
NP95D04SK4A0S-1FE-00	F-Case Demux for ITU Channels 48, 54, 60, 61 0.9-mm fibers with no connector
NP95D04SK5A0S-1FE-00	F-Case Demux for ITU Channels 21, 33, 44, 57 0.9-mm fibers with no connector
NP95C01S0EZ0S-1SD-00	S-Case Single Filter for ITU Channels 19-39, 44-63 0.9-mm fibers with no connector
NP95C01S0EZ0S-2SD-AS	S-Case Single Filter for ITU Channels 19-39, 44-63 1.6-mm fibers with SC/APC connector

ORDERING INFORMATION

System Accessories

Communications Control Module

C C 3 0 0 8

Module Carrier

C A 3 0 0 8

Filler Module for Double-Density Slots

H T 3 F I L D



RELATED PRODUCTS

CH3000 Chassis	Optical Patch Cords
Optical Transmitters	Optical Passives
Digital Return	Installation Services

Customer Care

Contact Customer Care for product information and sales:

- United States: 866-36-ARRIS
- International: +1-678-473-5656

Note: Specifications are subject to change without notice.

Copyright Statement: © 2018 ARRIS Enterprises LLC. All rights reserved. ARRIS and the ARRIS logo are trademarks of ARRIS International plc and/or its affiliates. All other trademarks are the property of their respective owners. No part of this publication may be reproduced in any form or by any means or used to make any derivative work (such as translation, transformation, or adaptation) without written permission from ARRIS International plc ("ARRIS"). ARRIS reserves the right to revise this publication and to make changes in content from time to time without obligation on the part of ARRIS to provide notification of such revision or change.

1512351-Rev_E_HT3562_Double-Density-Transmitter-System

09/2018 EA28886

Ask us about the complete Access Technologies Solutions portfolio:

Headend Optics-HT3562H